



Electronic Service Manuals

This electronic document is provided as a service to our customers. We do not create the contents of the information contained in this document. Should you have detailed questions pertaining to the information contained in this document, you may contact Michco, or the manufacturer which provided the original information in this electronic deliverable. Michco's only part in this electronic deliverable was the electronic assembly process. By providing this manual on line we are not guaranteeing parts availability.

You may contact Michco through the following methods:

Phone (517) 484-9312 or (800) 331-3339

2011 N. High St. -- Lansing, Michigan -- 48906

Fax: (517) 484-9836

Email: CustServe@Michco.com

Web site: www.Michco.Com

Parts Web site: www.FloorMachineParts.Com

Order Parts on Line at:

www.FloorMachineParts.Com

Directly to Parts & Service:

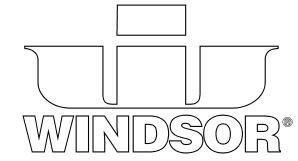
By Email: **Shop@Michco.com**

By Fax: (517) 702-2041

By Voice: Use numbers above.

Serving the Cleaning Industry Since 1922

Notice: All copyrighted material remains property of original owners, all trademarks are property of respective owners. Manuals are subject to Manufacturer's reproduction limitations. Originals or reproductions were provided by manufacturers through a request. We make no warranty as to the correctness of information provided in this document and you assume all risk. By placing these manuals on line we are not declaring our corporation to be an manufacturer authorized dealer or provider, please check our web site for authorized manufacturers we represent.



Spare parts list

(15171040) RADIUS Manual

2007 02

59707340

EN

CONTENT LIST

1.0 Individual parts

2.0 SIDE BROOM

2.1 SIDE BROOM

RECHTS/RIGHT/DROI

2.2 SIDE BROOM

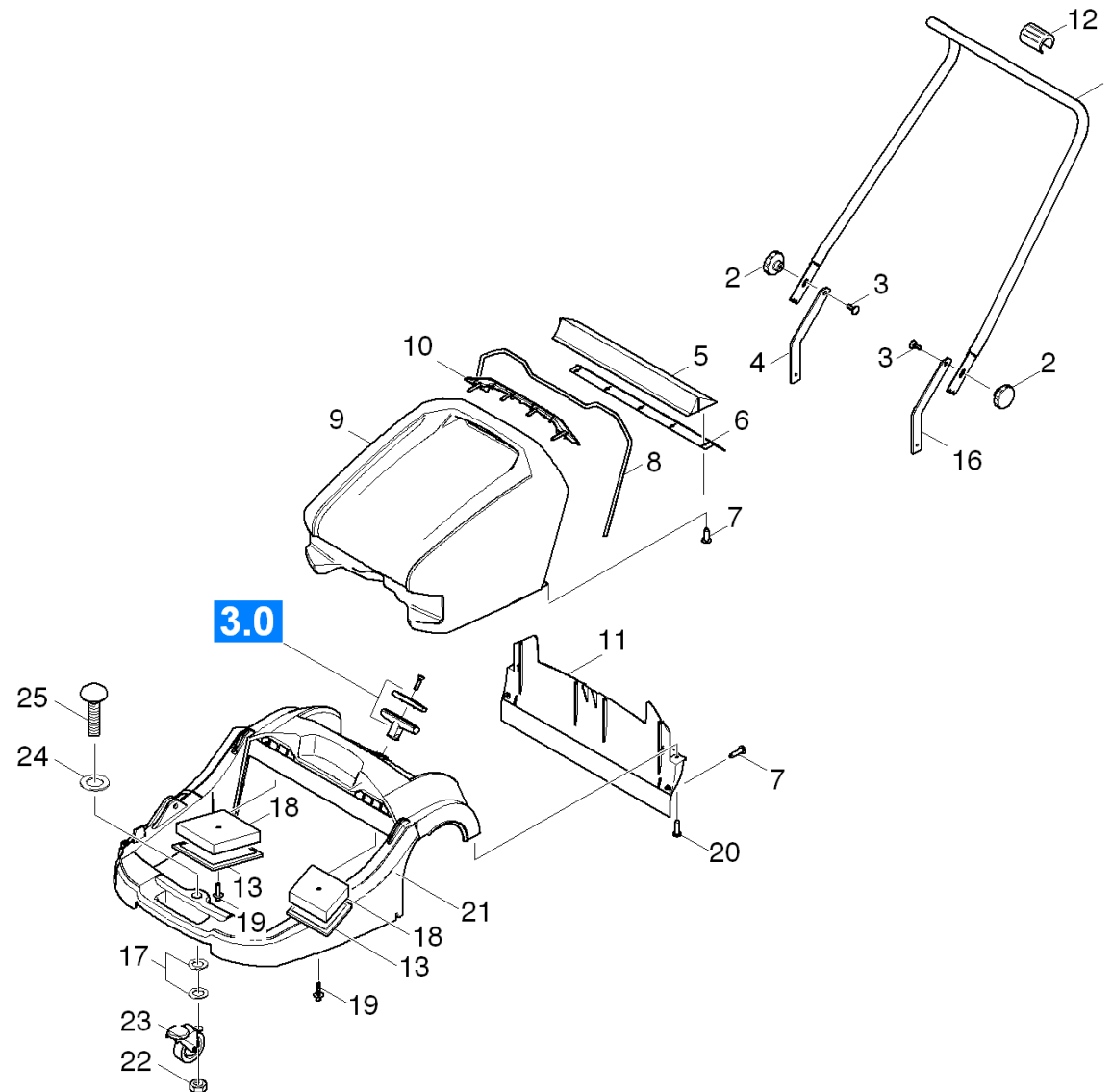
LINKS/LEFT/GAUCHE

3.0 Transmission

4.0 Add-on kit waste gripper

5.0 Shearing shackle

1.0 Individual parts



1.0 Individual parts

POS	DESCRIPTION ADDITIONAL INFORMATIONS	PART NO	QTY.	FROM SER.NR.	UP TO SER. NR.
1	Tube shearing shackle	51287750	1		
2	TURNING KNOB	63211770	2		
3	Saucer-head screw M8x25-St-AOP DIN 603	73031940	2		
4	Sheet metal component	50589470	1		
5	Holder ground lips sweep tank	69038000	1		
6	Ground lip	69038010	1		
7	Screw 5x16 -10.9-P2R (K-In6Rd)	73031070	7		
8	Seal rubber	53641640	1		
9	Sweep tank complete	40706330	1		
10	COVER	50641630	1		
11	MOULDED PART	50326410	1		
12	CLAMP	63738670	1		
13	Covering cap	50327300	2		
16	Sheet metal component	50589480	1		
17	Washer 10-200HV-A3E ISO 7090	73120050	2		
18	FILTER CARTRIDGE	57316160	2		
19	PLUG	63859340	2		
20	Screw 5x30 -10.9-R2R (K-In6Rd)	73030860	6		
21	Frame	50502440	1		
22	Hexagon nut M10-8-A2E ISO 7040	73115110	1		
23	Castor D=75mm	69660510	1		
24	Washer 10 -100HV-A3E ISO 7094	73122620	1		
25	Saucer-head screw M10x80 -St-AOP DIN 60	73032220	1		

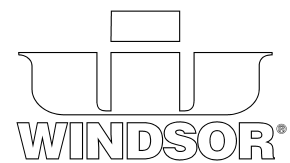
2.0 SIDE BROOM

2.1 SIDE BROOM

RECHTS/RIGHT/DROI

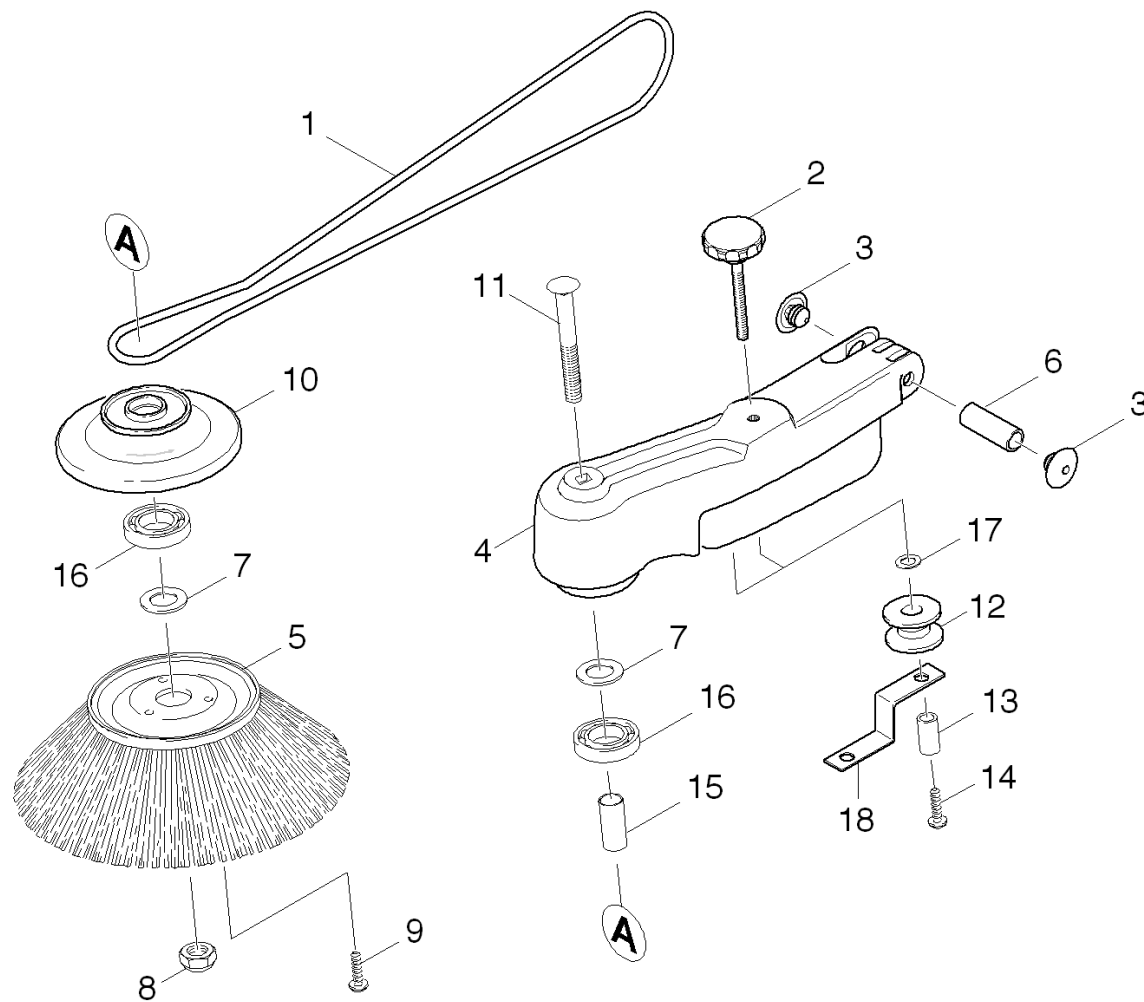
2.2 SIDE BROOM

LINKS/LEFT/GAUCHE



2.1 SIDE BROOM

RECHTS/RIGHT/DROI



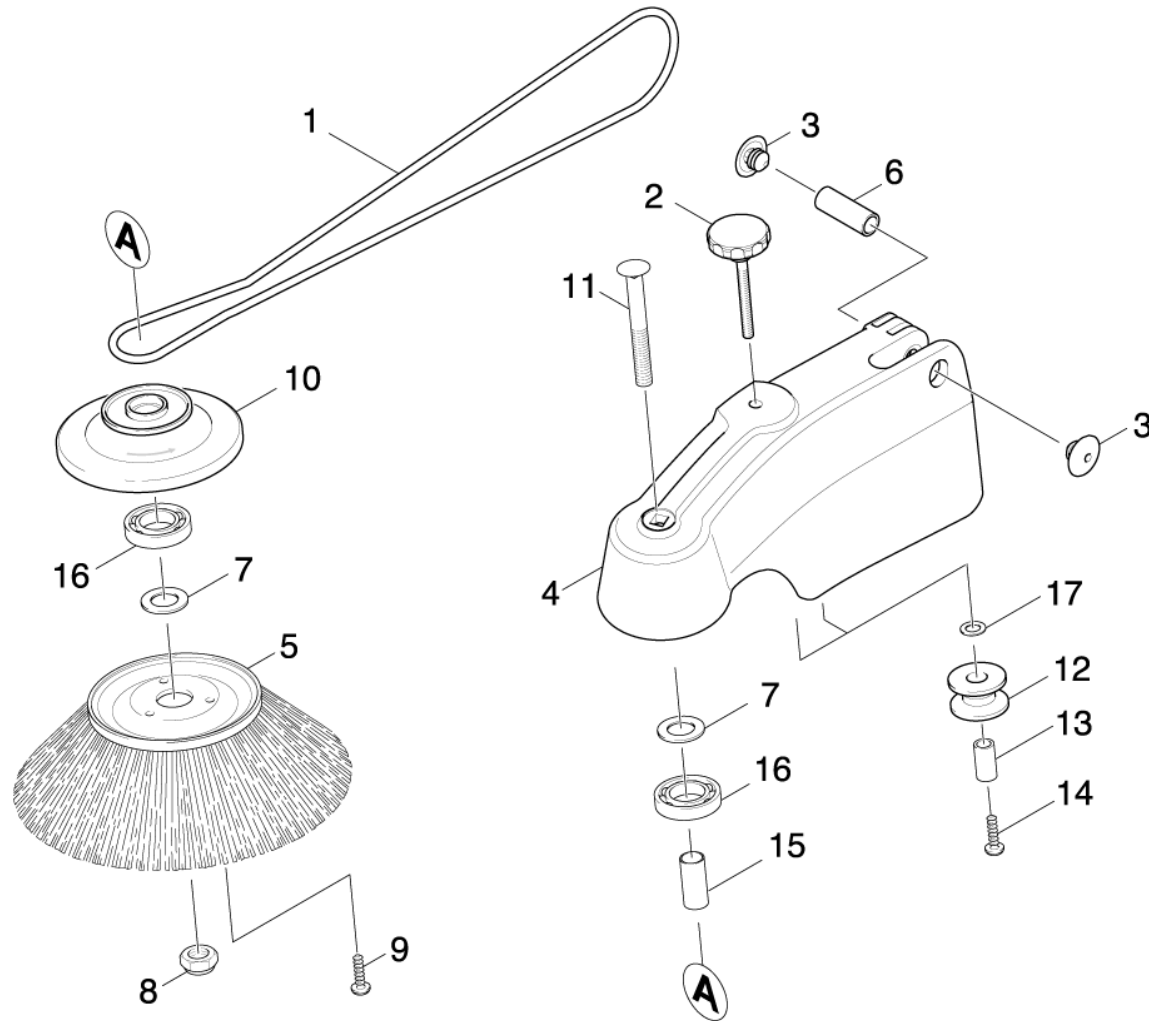
2.1 SIDE BROOM

RECHTS/RIGHT/DROI

POS	DESCRIPTION ADDITIONAL INFORMATIONS	PART NO	QTY.	FROM SER.NR.	UP TO SER. NR.
1	BELT	63482290	1		
2	TURNING KNOB	63211760	1		
3	PLUG	63859350	2		
4	Arm side broom	50326380	1		
5	BROOM	69660050	1		
6	SLEEVE	51161190	1		
7	Washer 10 -160HV-A3E EN28738	73121530	2		
8	Hexagon nut M10-8-A2E ISO 7040	73115110	1		
9	Screw 6x20 -10.9-R2R (In6Rd)	73031120	3		
10	FLANGE	69660020	1		
11	Saucer-head screw M10x130-St-AOP DIN 60	73032080	1		
12	DEFLECTION PULLEY	69660070	2		
13	Tube 10x1,5x16	69660090	2		
14	Screw 6 x 35-ST-10.9-A2R (IN6RD)	73031140	2		
15	Spacer sleeve 12x0,8x31	69660200	1		
16	Ball bearing 6001-2RS-EDELSTAHL DIN 625	74010080	2		
17	Washer 6 -200HV-A2E ISO7093-1	73122760	2		
18	Sheet metal component belt side broom	50613560	1		

2.2 SIDE BROOM

LINKS/LEFT/GAUCHE

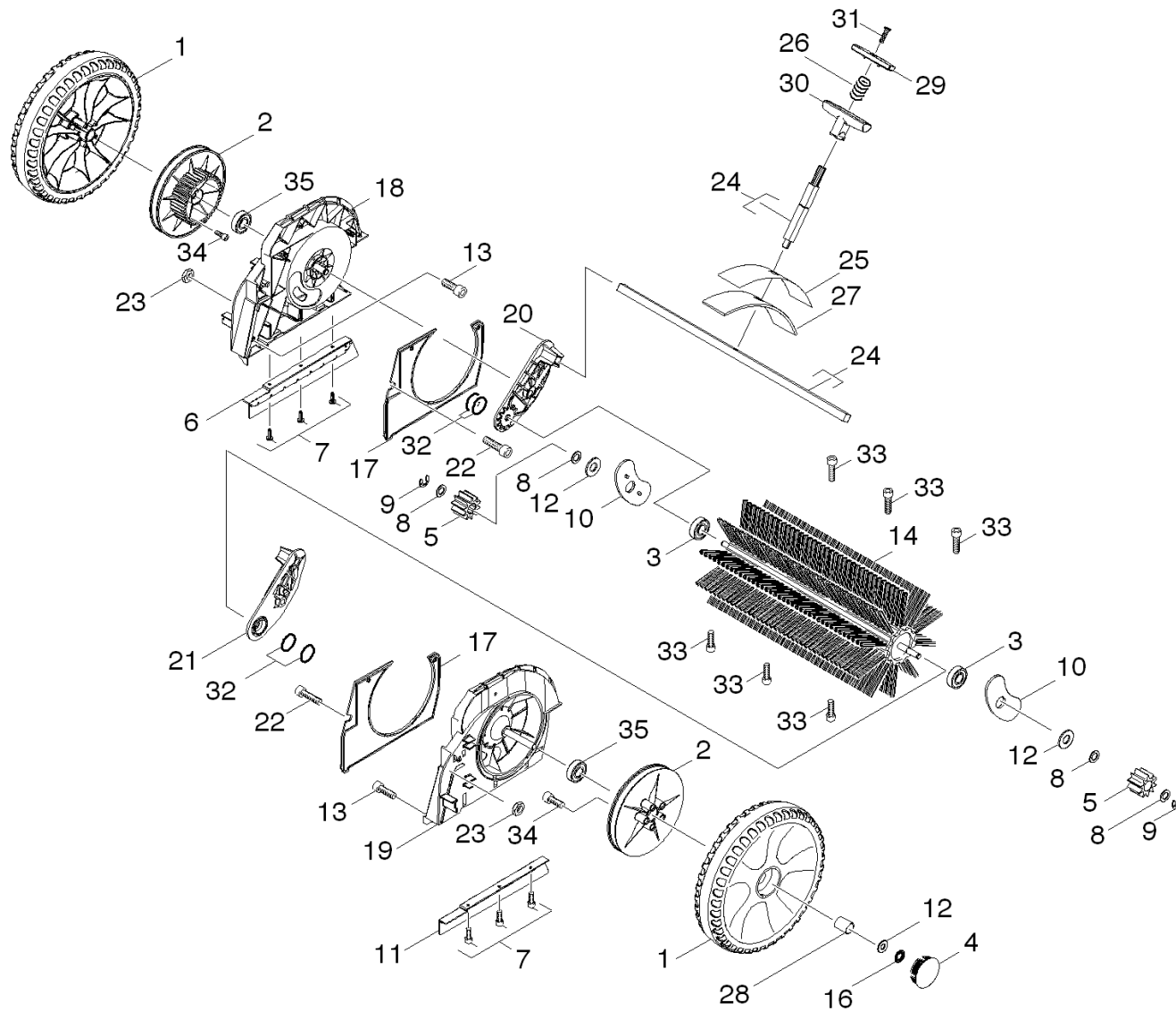


2.2 SIDE BROOM

LINKS/LEFT/GAUCHE

POS	DESCRIPTION ADDITIONAL INFORMATIONS	PART NO	QTY.	FROM SER.NR.	UP TO SER. NR.
1	BELT	63482290	1		
2	TURNING KNOB	63211760	1		
3	PLUG	63859350	2		
4	Arm side broom left	50326710	1		
5	BROOM	69660050	1		
6	SLEEVE	51161190	1		
7	Washer 10 -160HV-A3E EN28738	73121530	2		
8	Hexagon nut M10-8-A2E ISO 7040	73115110	1		
9	Screw 6x20 -10.9-R2R (In6Rd)	73031120	3		
10	FLANGE	69660020	1		
11	Saucer-head screw M10x130-St-AOP DIN 60	73032080	1		
12	DEFLECTION PULLEY	69660070	2		
13	Tube 10x1,5x16	69660090	2		
14	Screw 6 x 35-ST-10.9-A2R (IN6RD)	73031140	2		
15	Spacer sleeve 12x0,8x31	69660200	1		
16	Ball bearing 6001-2RS-EDELSTAHL DIN 625	74010080	2		
17	Washer 6 -200HV-A2E ISO7093-1	73122760	2		

3.0 Transmission



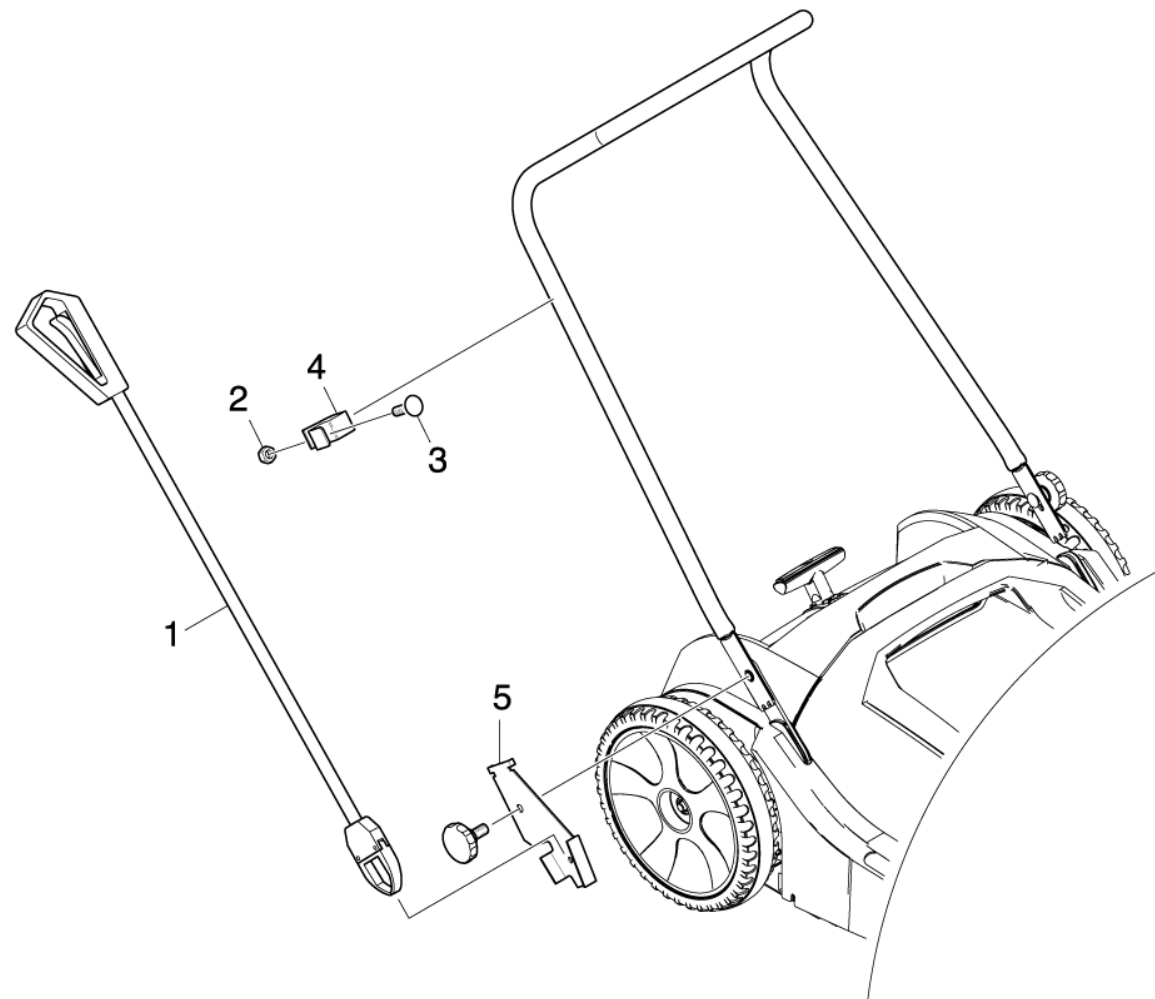
3.0 Transmission

POS	DESCRIPTION ADDITIONAL INFORMATIONS	PART NO	QTY.	FROM SER.NR.	UP TO SER. NR.
1	Wheel complete	45152790	2		
2	Belt pulley	56254510	2		
3	Ball bearing 6001-2RS-EDELSTAHL DIN 625	74010080	4		
4	WHEEL CAB YELLOW	53920380	2		
5	Pinion with sprag clutch	43520120	2		
6	Skirting right	53944710	1		
7	Screw 5x16 -10.9-P2R (K-In6Rd)	73031070	6		
8	Shim ring 10x16x0,5-St2K50 DIN988	73432160	8		
9	Lock washer 8 -St-ph DIN 6799	73433020	2		
10	Gasket disc	63653600	2		
11	APRON LINKS	53944720	1		
12	WASHER	51156280	4		
13	Screw 6x25 -10.9-A2R (In6Rd)	73031130	2		
14	Reversing rolling mill	69060410	1		
16	QUICK FASTENER	63431800	2		
17	Covering cap	50326530	2		
18	Axle drum right	50326390	1		
19	Axle drum left	50326440	1		
20	Stub axle right	50326400	1		
21	Stub axle left	50326430	1		
22	Screw M 6x35 -8.8-R3R (In6Rd)	73061180	2		
23	Hexagon nut M6 -04-A2E ISO 4035	73112000	2		
24	square	40211710	1		
25	Seal	53636300	1		
26	HELICAL SPRING	53324810	1		
27	Plate	50082500	1		
28	Plain bearing	64030060	2		
29	BUTTON	53260280	1		
30	HANDLE	53217360	1		
31	Countersunk screw M5x20 -A2-70-s (In6Rd)	73050500	1		
32	O RING	63623660	4		

3.0 Transmission

POS	DESCRIPTION ADDITIONAL INFORMATIONS	PART NO	QTY.	FROM SER.NR.	UP TO SER. NR.
33	Screw 5x30 -10.9-A2R (In6Rd)	73032100	6		
34	Screw 5x20 -10.9-R2R (In6Rd)	73031080	10		
35	BALL BEARING	64013630	2		

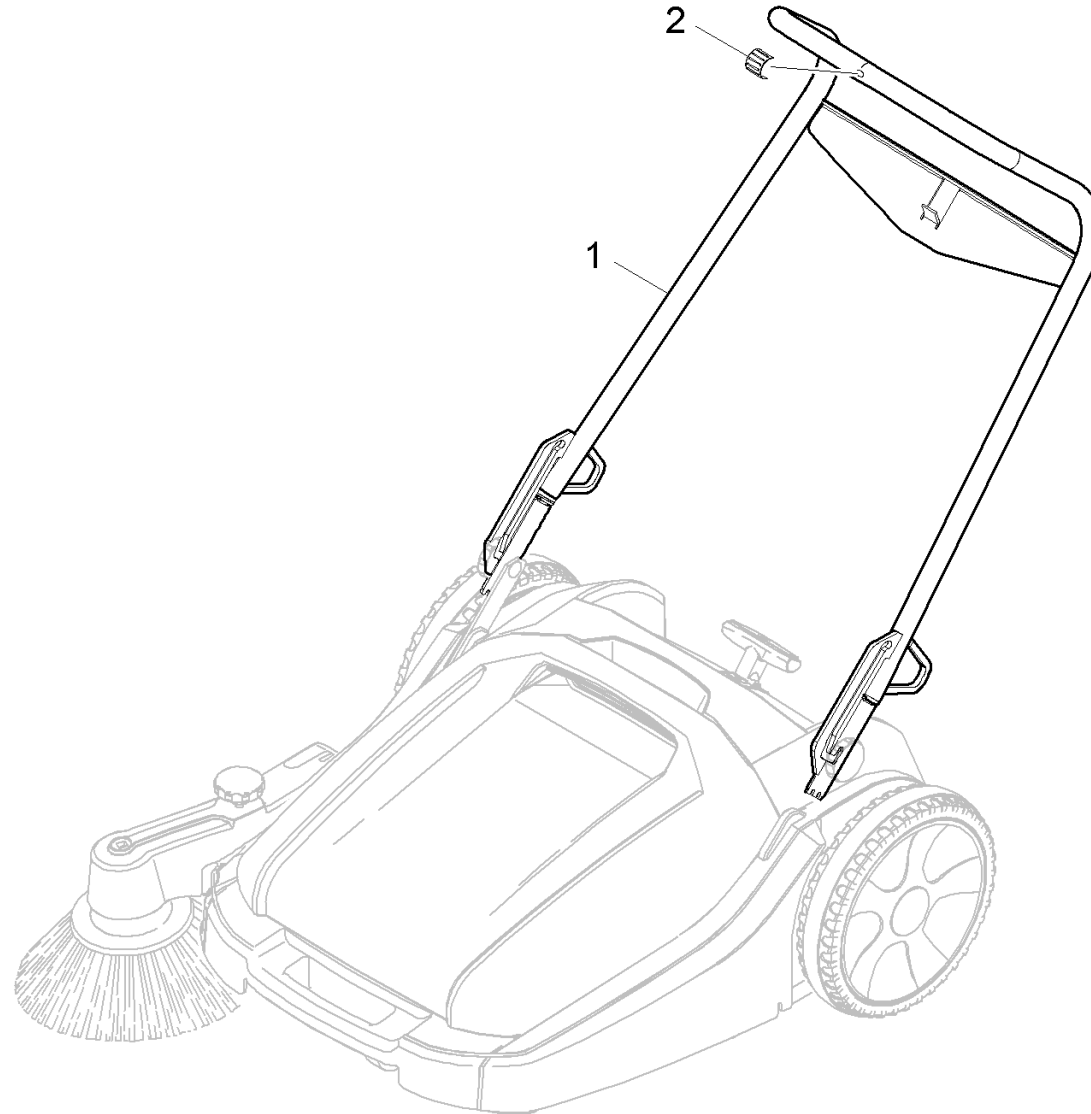
4.0 Add-on kit waste gripper



4.0 Add-on kit waste gripper

POS	DESCRIPTION	PART NO	QTY.	FROM SER.NR.	UP TO SER. NR.
	ADDITIONAL INFORMATIONS				
1	Accessories waste gripper Greifboy	63699310	1		
2	Hexagon nut M 5-A4-70 ISO 7042	73110290	1		
3	Saucer-head screw M5x16-St-A2R DIN 603	63032240	1		
4	Sheet metal component waste gripper abov	50574480	1		
5	Sheet metal component waste gripper bott	50574470	1		

5.0 Shearing shackle



5.0 Shearing shackle

POS	DESCRIPTION ADDITIONAL INFORMATIONS	PART NO	QTY.	FROM SER.NR.	UP TO SER. NR.
1	Add-on kit shearing shackle stackable	26409710	1		
2	CLAMP	63738670	1		